



98-inch 4K LED Display TH-98LQ70W TENTATIVE

● Product specification (design and specification subject to change without notice)

■ DISPLAY

Screen Size (Diagonal)	98-inch (2,489 mm)
Panel Type	IPS / D-LED
Aspect Ratio	16:9
Effective Display Area (W x H)	2,159 x 1,215 mm
Number of Pixels (H x V)	3,840 x 2,160 pixels
Brightness	500 cd/m ²
Contrast Ratio	1,300 : 1
Response Time	8 ms (G to G)
Viewing Angle (Horizontal / Vertical)	178° / 178°
Panel Life Time	T.B.D.

■ CONNECTION TERMINAL

HDMI IN	HDMI TYPE A Connector x2 (Up to 4K@50/60Hz)* ¹ HDMI TYPE A Connector x2 (Up to 2K@50/60Hz)* ¹
DisplayPort IN	DisplayPort x 1 (DP1.2a)* ¹
DVI-D IN	DVI-D 24pin x 1
AUDIO IN (L/R)	Pin jack (L/R) x 1 set
PC IN	D-sub 15pin x 1 (Female)* ²
AUDIO IN (L/R)	Pin jack (L/R) x 1 set
Function Slot	SLOT 3.0

*1 : HDCP supported, Embedded audio supported

*2 : RGB / YPbPr switchable

■ CONTROL

SERIAL IN / OUT	D-sub 9pin x 1 / x 1 , RS-232C Compatible
LAN	RJ45 x 1 100BaseTX, Compatible with PLink (Shared with DIGITAL LINK)
DIGITAL LINK	RJ45 x 1 (Shared with LAN)

■ AUDIO

AUDIO OUT	Stereo mini jack (M3) x 1
OPTICAL OUT	Opt out x 1
Built in Speaker	20W [10W + 10W]

■ ELECTRICAL

Power Requirements	220 - 240V AC, 50/60Hz
Power Consumption	T.B.D.
Power Off Condition	T.B.D.
Stand-by Condition	T.B.D.
Network Stand-by Mode	T.B.D.

■ MECHANICAL

Dimensions (W x H x D)	2,233 x 1,288 x 122 mm* ¹
Bezel Width	32.5 mm
Carton Dimensions (W x H x D)	2,664 x 1,756 x 720 mm
Weight	approx. 140 kg* ²
Gross Weight	approx. 226 kg* ²
Cabinet Material / Color	Aluminum / Black (Front cabinet) & Silver (Back cover)
Protective Glass	YES

*1 : Accuracy: ± 5 mm

*2 : Accuracy: ± 10 kg

■ ENVIRONMENTAL

Operating Environment	Temperature	: 0°C to 40°C
	Humidity	: 20% to 80% (Non condensation)
Storage Environment	Temperature	: -20°C to 60°C
	Humidity	: 20% to 80% (Non condensation)

■ STANDARD (CERTIFICATIONS)

Safety Regulations	Europe	: EN60065, IEC60065, EAC
	Asia	: AS / NZS60065, SASO, IEC60065 / SS, IEC60065 / PAI
Radiation Regulations	Europe	: EN55022 Class-B, EN55024, EN61000-3-2, EN61000-3-3
	Asia	: CISPR22 Class-B

■ INCLUDED ACCESSORIES

AC power cord, Remote control transmitter, Batteries, Operating instruction book
--

● MAIN FEATURE

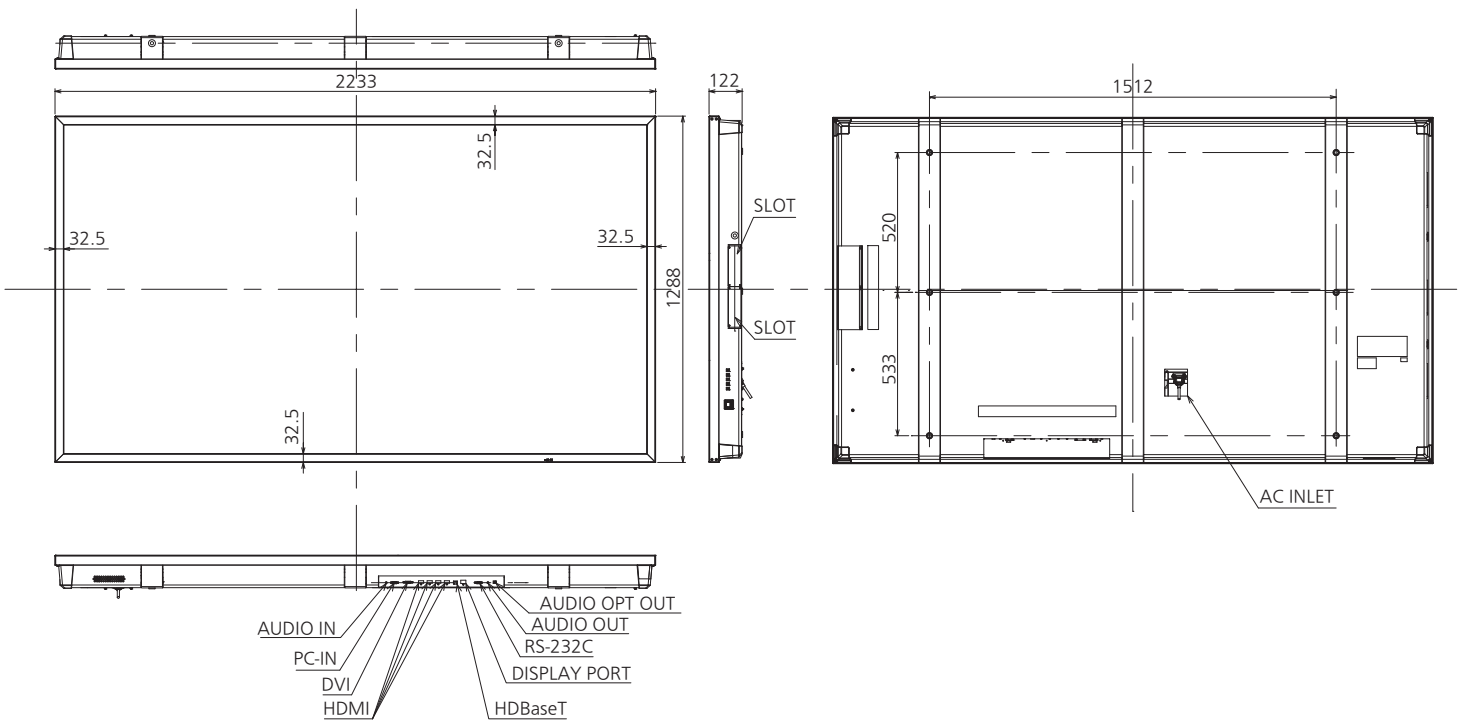
1:1 Pixel Mode	YES
Automatic Picture Position	YES
Orientation	Landscape / Portrait
Multi-res. Quad Display (up to FHD)	YES
Screen Saver	YES
PC Power Management	YES
DVI-D Power Management	YES
ECO Mode	YES
Stanby Save	YES
Button Lock	YES
Remote-control Lock	YES
Power-on Screen Delay	YES
Input Search	YES

● OPTIONAL ACCESSORIES

3G-SDI x 4 Terminal Board (w/ active through x 4)	T.B.D.
3G-SDI x 1 Terminal Board (w/ active through x 1)	T.B.D.
Pedestal	TY-ST103PF9
Wall-hanging Bracket	TY-WK103PV9
Celling-hanging Bracket	TY-CE103PS10

● DIMENSIONS

Cautions: This drawing is not a scale
Units : mm



* Specifications and appearance are subject to change without notice.