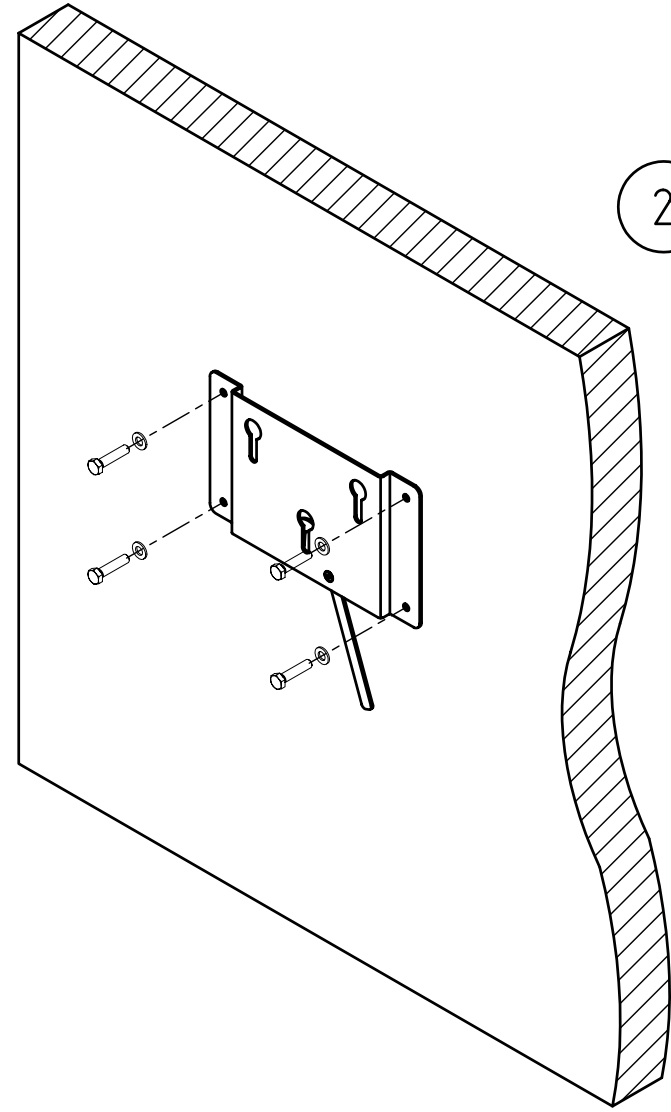
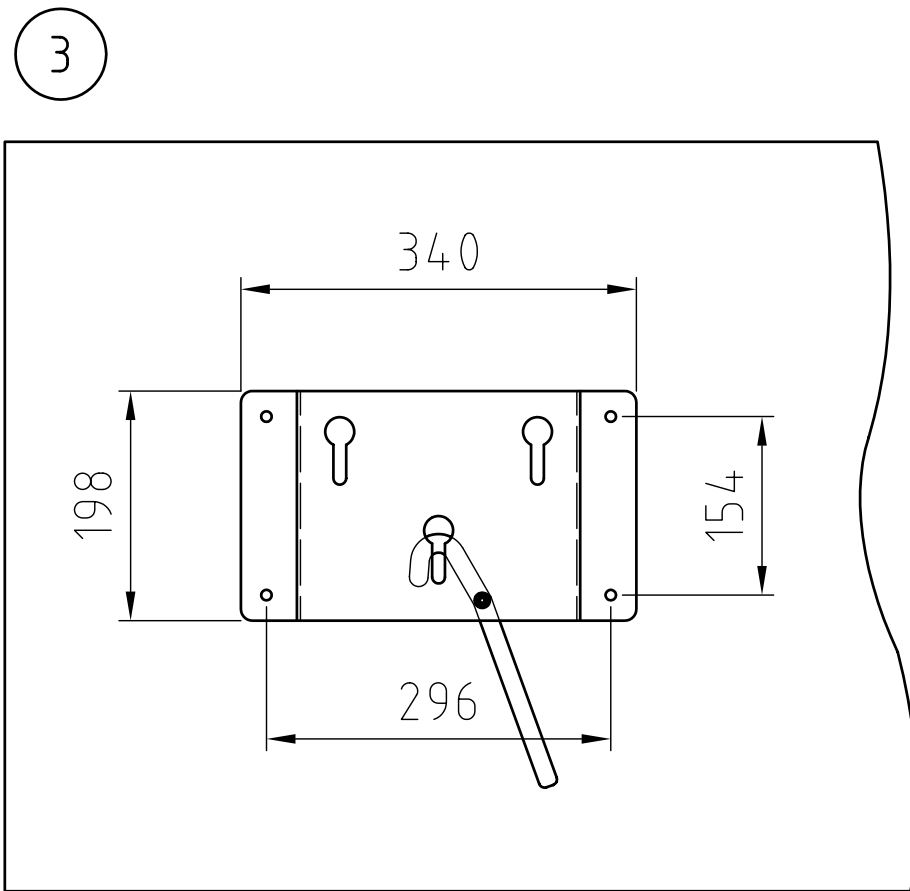


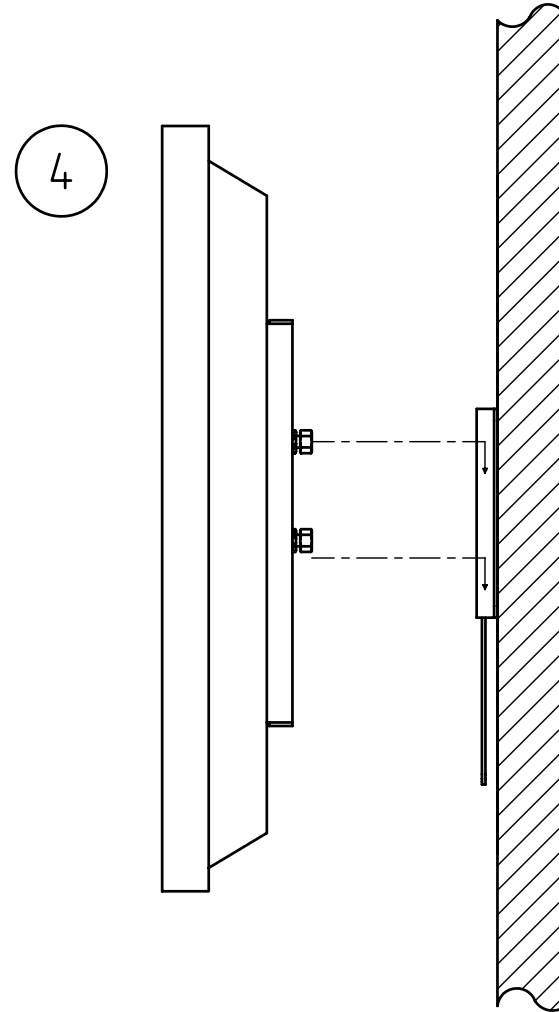
1



2



3

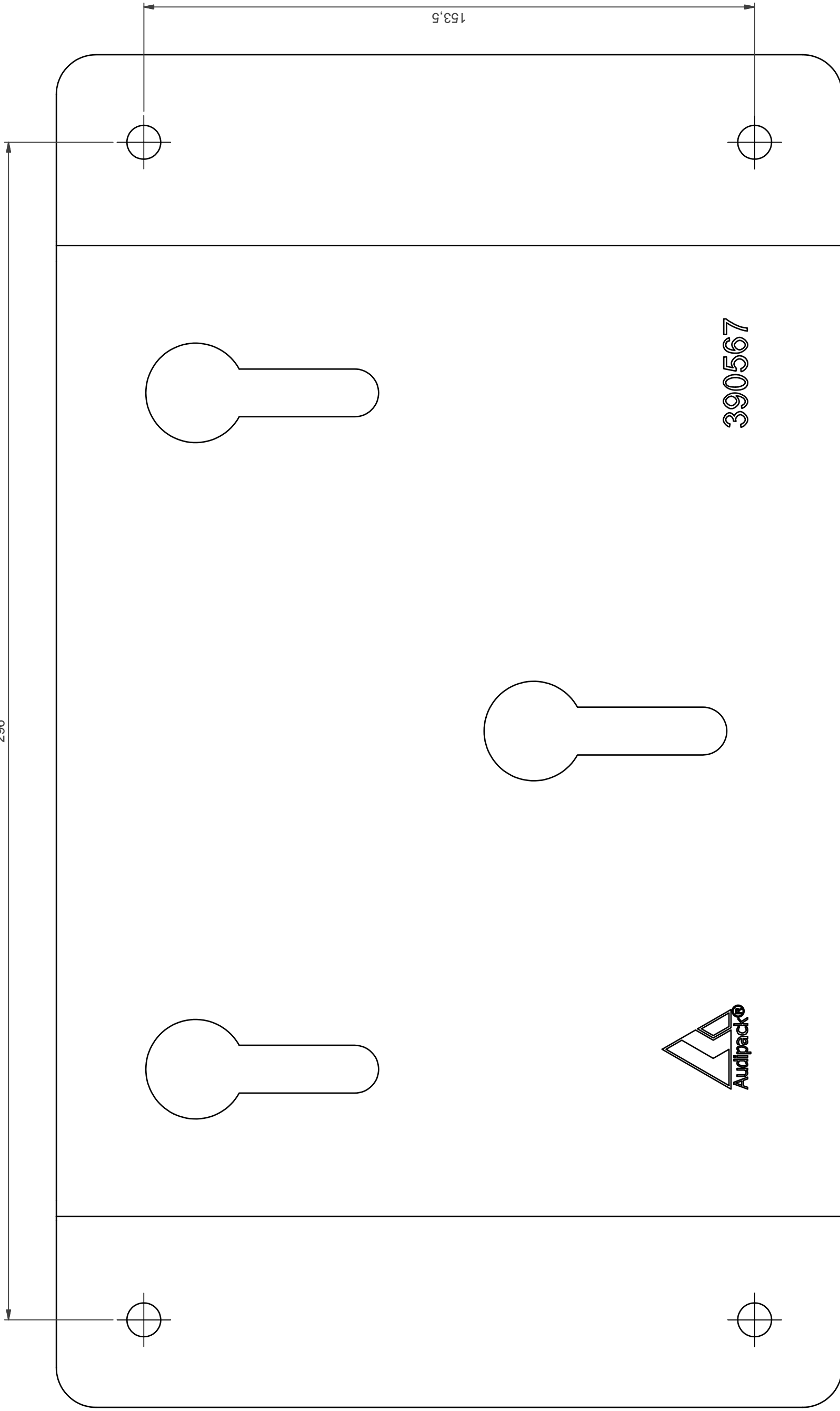


4

<p>© COPYRIGHT AUDIPACK This print and the information shown thereon, is the property of AUDIPACK. It may not be delivered to others nor reproduced for general circulation without the written consent of the AUDIPACK engineering department</p>	<p>AUDIPACK Industriestraat 2 2751 GT Moerkapelle The Netherlands tel. +31(0)795931671 fax. +31(0)795933115 www.Audipack.com</p>
<p>MOUNTINGGUIDE</p>	<p>390567</p>

296

153,5



NOTE: All dimensions are ±..., in mm and subject to change

© COPYRIGHT AUDIPACK
 This print and the information shown thereon, is the property of AUDIPACK.
 It may not be delivered to others nor reproduced for general circulation without the written consent of the AUDIPACK engineering department.



AUDIPACK
 Industriestraat 2-4
 the Netherlands
 Tel: +31(0)795931671
 Fax: +31(0)795933115
 www.audipack.com

MOUNTING GUIDE

390567

Dimensions are indications, not to be used for any preparations.
 No rights can be derived from the above dimensions.